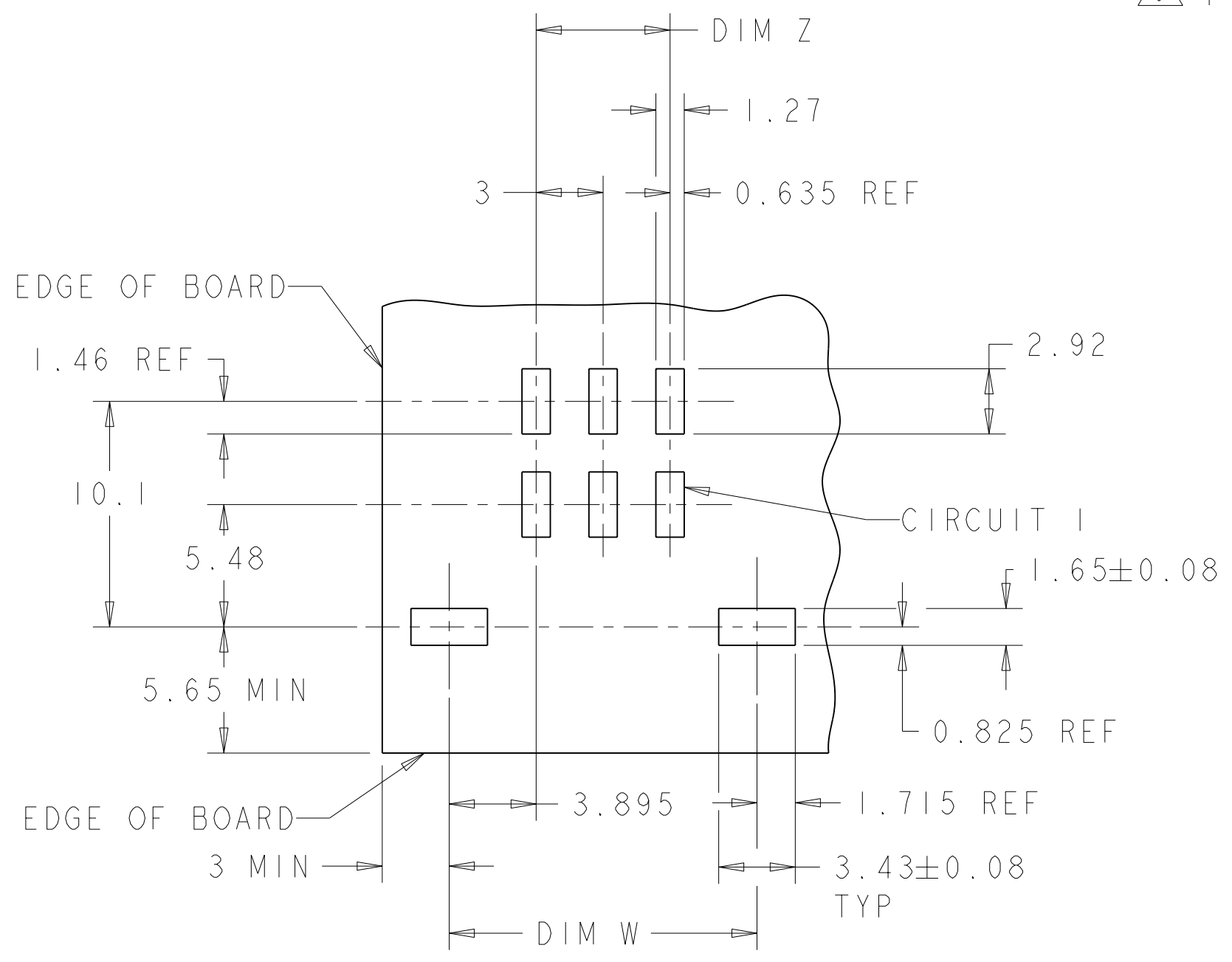
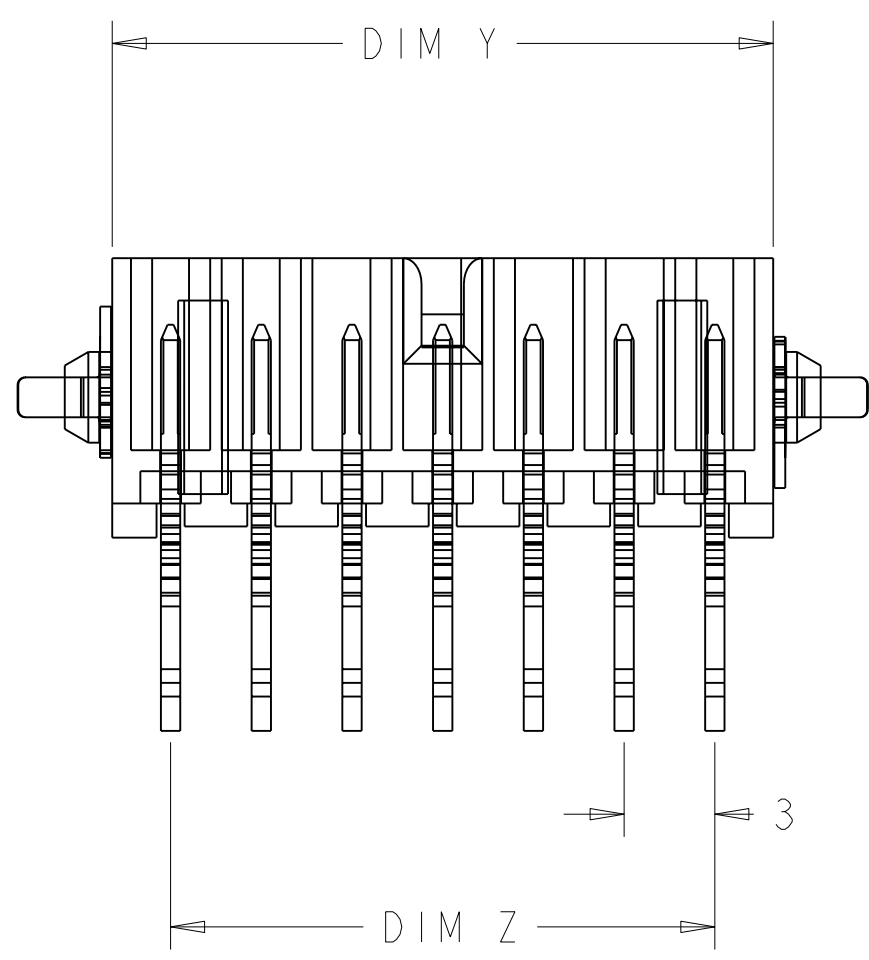
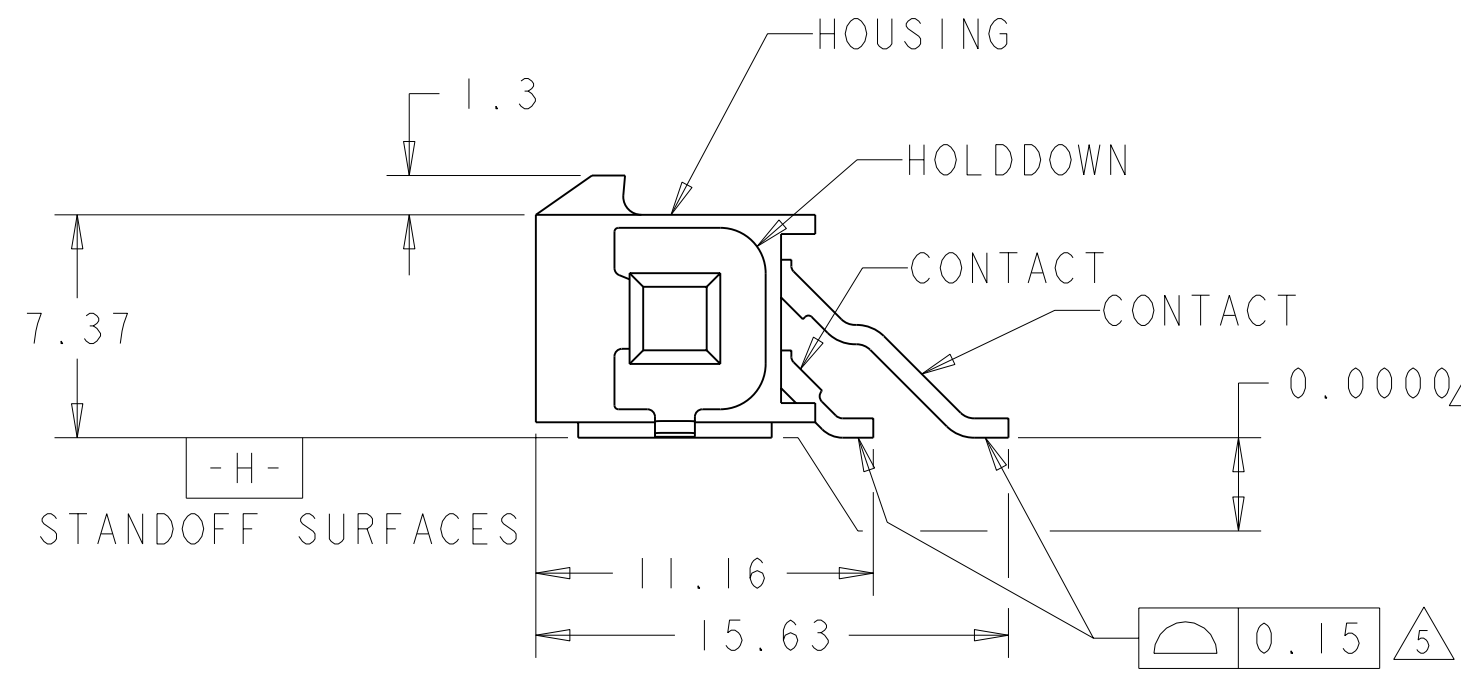
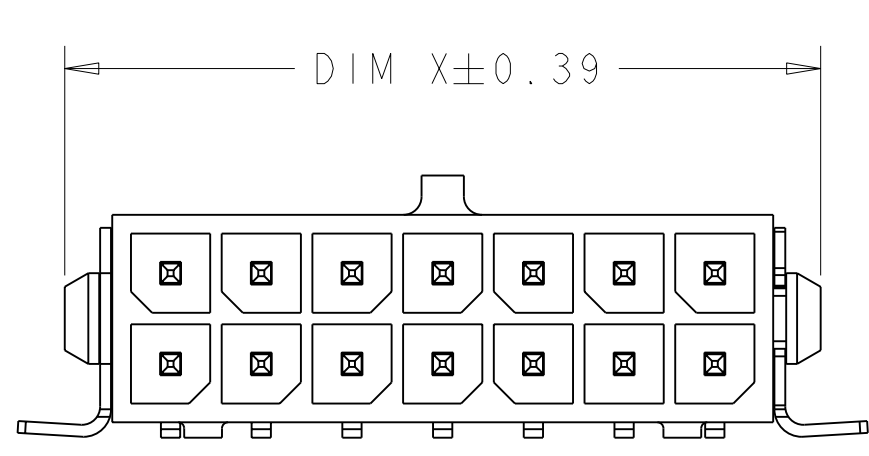
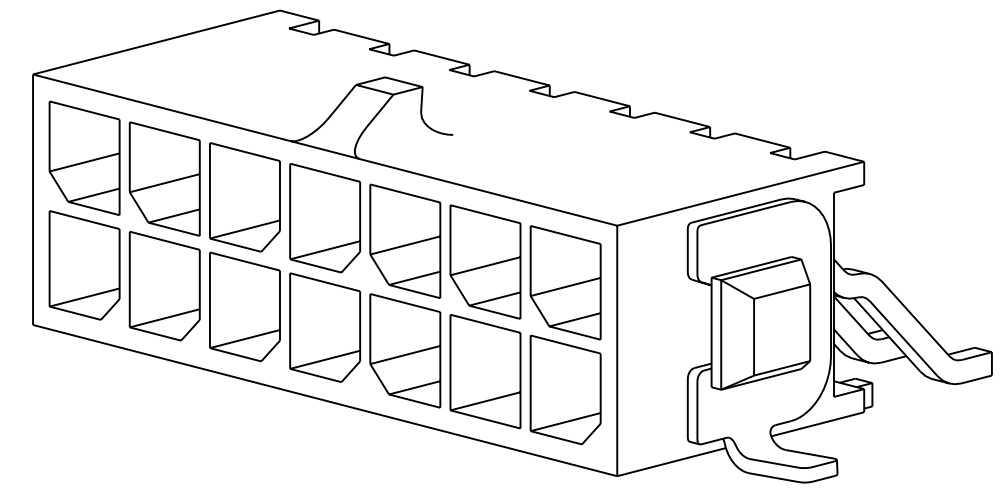


LOC		DIST		REVISIONS			
P	LTR	DESCRIPTION	DATE	DWN	APVD		
CM	00	G	REVISED PER 0G3B-0207-05	23-MAR-2005	SH	CJ	



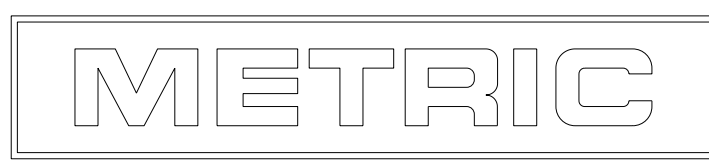
- △ MATERIAL;
 CONTACTS - BRASS.
 HOUSING - UL 94V-0 RATED HIGH TEMP NYLON,
 COLOR; BLACK.
 HOLD DOWNS - PHOSPHOR BRONZE.
- △ FINISH;
 CONTACTS - 2.54µm MINIMUM TIN-LEAD OVER 1.27µm
 MINIMUM NICKEL.
 HOLD DOWNS - 2.54µm TIN-LEAD.
- △ DIMENSION APPLIES TO SOLDER TAIL SURFACES
 AND STANDOFF SURFACES.
- △ RECOMMENDED PC BOARD THICKNESS OF 1.57.
- △ ALL SOLDER TAILS AND HOLD DOWNS.
- △ FINISH;
 CONTACTS - 2.54µm MINIMUM MATTE TIN OVER 1.27µm
 MINIMUM NICKEL.
 HOLD DOWNS - 2.54µm MINIMUM MATTE TIN.

FINISH	DIM Y	DIM W	DIM Z	DIM X	NO. OF POSN.	ASSEMBLY
△6	36.86	40.79	33.00	40.00	24	5-794627-4
△6	33.86	37.79	30.00	37.00	22	5-794627-2
△6	30.86	34.79	27.00	34.00	20	5-794627-0
△6	27.86	31.79	24.00	31.00	18	4-794627-8
△6	24.86	28.79	21.00	28.00	16	4-794627-6
△6	21.86	25.79	18.00	25.00	14	4-794627-4
△6	18.86	22.79	15.00	22.00	12	4-794627-2
△6	15.86	19.79	12.00	19.00	10	4-794627-0
△6	12.86	16.79	9.00	16.00	8	3-794627-8
△6	9.86	13.79	6.00	13.00	6	3-794627-6
△6	6.86	10.79	3.00	10.00	4	3-794627-4
△6	3.86	7.79	-	7.00	2	3-794627-2
△2	36.86	40.79	33.00	40.00	24	2-794627-4
△2	33.86	37.79	30.00	37.00	22	2-794627-2
△2	30.86	34.79	27.00	34.00	20	2-794627-0
△2	27.86	31.79	24.00	31.00	18	1-794627-8
△2	24.86	28.79	21.00	28.00	16	1-794627-6
△2	21.86	25.79	18.00	25.00	14	1-794627-4
△2	18.86	22.79	15.00	22.00	12	1-794627-2
△2	15.86	19.79	12.00	19.00	10	1-794627-0
△2	12.86	16.79	9.00	16.00	8	794627-8
△2	9.86	13.79	6.00	13.00	6	794627-6
△2	6.86	10.79	3.00	10.00	4	794627-4
△2	3.86	7.79	-	7.00	2	794627-2



SCALE 5:1

RECOMMENDED PCB LAYOUT △4
 (COMPONENT SIDE)



THIS DRAWING IS A CONTROLLED DOCUMENT FOR TYCO ELECTRONICS CORPORATION. IT IS SUBJECT TO CHANGE AND THE CONTROLLING ENGINEERING ORGANIZATION SHOULD BE CONTACTED FOR THE LATEST REVISION.

DIMENSIONS: mm	TOLERANCES UNLESS OTHERWISE SPECIFIED: 0 PLC ± 1 PLC ± 2 PLC ±0.13 3 PLC ± 4 PLC ± ANGLES ±	DWN S. HOOVER 23-MAR-2005 CHK C. JONES 23-MAR-2005 APVD C. JONES 23-MAR-2005	tyco AMP Incorporated Electronics Harrisburg, PA 17105-3608
MATERIAL △1	FINISH △1	PRODUCT SPEC - APPLICATION SPEC - WEIGHT -	NAME SURFACE MOUNT, RIGHT ANGLE, SURFACE MOUNT HOLD DOWN, ASSEMBLY, TIN HEADER, DUAL ROW, MICRO MATE-N-LOK (TM) SIZE A2 CAGE CODE 00779 DRAWING NO. C=794627 RESTRICTED TO -
SEE TABLE		CUSTOMER DRAWING	SCALE 4:1 SHEET 1 OF 1 REV G